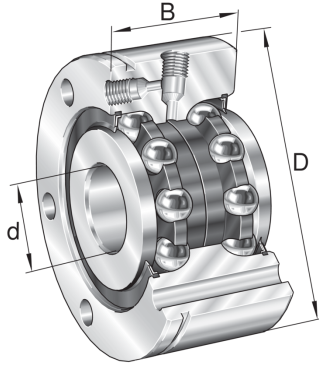


## ZKLF3080-2Z-XL INA

SKU: INAZKLF3080-2Z



## Specificaties

<b>designation</b>	ZKLF3080-2Z-XL
<b>Boring diameter (mm)</b>	30
<b>Buitendiameter (mm)</b>	80
<b>Breedte (mm)</b>	28
<b>Eenheden</b>	pc
<b>Gewicht (kg)</b>	0.774
<b>Omschrijving (EN)</b>	Axial angular contact ball bearings ZKLF..-2Z, double direction, for screw mounting, gap seals on both sides
<b>EAN-code</b>	4012802078763
<b>Merk</b>	INA
<b>endCategory</b>	Ballscrew support bearings
<b>Boring diameter (mm)</b>	30
<b>Buitendiameter (mm)</b>	80
<b>Breedte (mm)</b>	28
<b>Gewicht (kg)</b>	0.774

## Beschrijving

ZKLF3080-2Z-XL INA Ballscrew support bearings

## **Product URL**

<https://aandrijftechniek.nl/product/zklf3080-2z-xl-ina/>