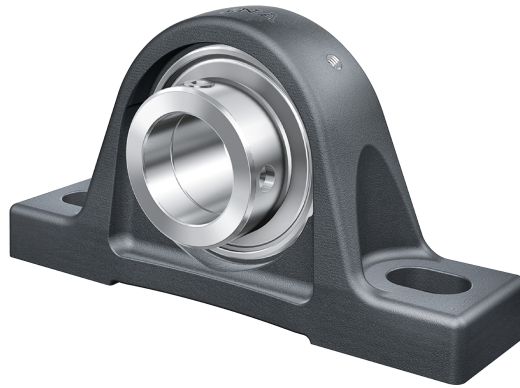


TASE75-XL INA

SKU: INATASE75



Specificaties

| | |
|-----------------------------|--|
| designation | TASE75-XL |
| Boring diameter (mm) | 75 |
| Buitendiameter (mm) | 265 |
| Breedte (mm) | 164 |
| Gewicht (kg) | 6.6 |
| Omschrijving (EN) | Plummer block housing units TASE, cast iron housing, radial insert ball bearing with eccentric locking collar, T seals |
| EAN-code | 4012802818505 |
| Merk | INA |
| Boring diameter (mm) | 75 |
| Buitendiameter (mm) | 265 |
| Breedte (mm) | 164 |
| Gewicht (kg) | 6.6 |

Beschrijving

TASE75-XL INA Pillow blocks

Product URL

<https://aandrijftechniek.nl/product/tase75-xl-ina/>