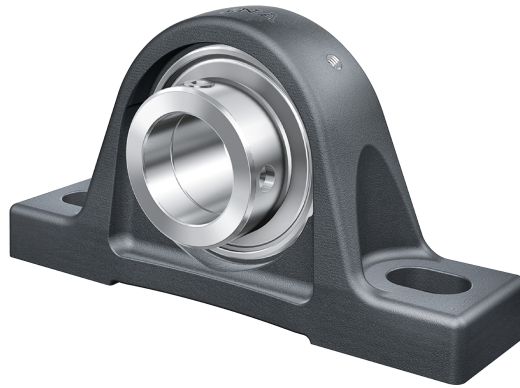


TASE60-XL-N INA

SKU: INATASE60-N



Specificaties

designation	TASE60-XL-N
Boring diameter (mm)	60
Buitendiameter (mm)	240
Breedte (mm)	140
Gewicht (kg)	4.75
Omschrijving (EN)	Plummer block housing units TASE, cast iron housing, radial insert ball bearing with eccentric locking collar, T seals
EAN-code	4054372939082
Merk	INA
category1	Ball bearing units
endCategory	Pillow blocks
Boring diameter (mm)	60
Buitendiameter (mm)	240
Breedte (mm)	140
Gewicht (kg)	4.75

Beschrijving

TASE60-XL-N INA Pillow blocks

Product URL

<https://aandrijftechniek.nl/product/tase60-xl-n-ina/>