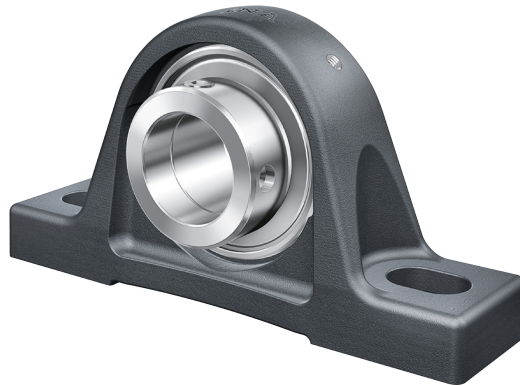


## TASE40-XL-N INA

SKU: INATASE40-N



### Extra afbeelding



### Specificaties

<b>designation</b>	TASE40-XL-N
<b>Boring diameter (mm)</b>	40
<b>Buitendiameter (mm)</b>	179
<b>Breedte (mm)</b>	99
<b>Gewicht (kg)</b>	1.96
<b>Omschrijving (EN)</b>	Plummer block housing units TASE, cast iron housing, radial insert ball bearing with eccentric locking collar, T seals
<b>EAN-code</b>	4054372554834
<b>Merk</b>	INA
<b>category1</b>	Ball bearing units
<b>endCategory</b>	Pillow blocks
<b>Boring diameter (mm)</b>	40
<b>Buitendiameter (mm)</b>	179
<b>Breedte (mm)</b>	99

<b>Gewicht (kg)</b>	1.96
---------------------	------

## Beschrijving

TASE40-XL-N INA Pillow blocks

## Product URL

<https://aandrijftechniek.nl/product/tase40-xl-n-ina/>