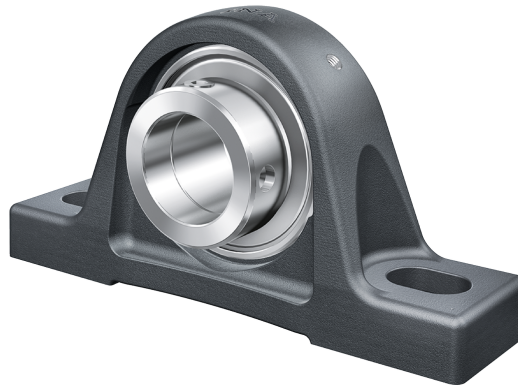


## TASE20-XL-N INA

SKU: INATASE20-N



### Specificaties

<b>designation</b>	TASE20-XL-N
<b>Boring diameter (mm)</b>	20
<b>Buitendiameter (mm)</b>	130
<b>Breedte (mm)</b>	64
<b>Gewicht (kg)</b>	0.63
<b>Omschrijving (EN)</b>	Plummer block housing units TASE, cast iron housing, radial insert ball bearing with eccentric locking collar, T seals
<b>EAN-code</b>	4012802819502
<b>Merk</b>	INA
<b>Boring diameter (mm)</b>	20
<b>Buitendiameter (mm)</b>	130
<b>Breedte (mm)</b>	64
<b>Gewicht (kg)</b>	0.63

### Beschrijving

TASE20-XL-N INA Pillow blocks

## Product URL

<https://aandrijftechniek.nl/product/tase20-xl-n-ina/>