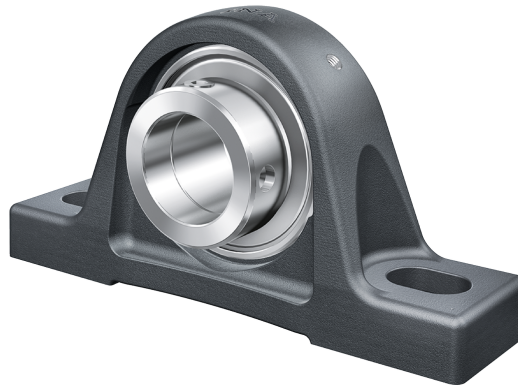


## RSAO80-XL INA

SKU: INARSAO80



### Specificaties

|                             |  |
|-----------------------------|--|
| <b>designation</b>          | RSAO80-XL  |
| <b>Boring diameter (mm)</b> | 80   |
| <b>Buitendiameter (mm)</b>  | 390  |
| <b>Breedte (mm)</b>         | 226  |
| <b>Gewicht (kg)</b>         | 21.22  |
| <b>Omschrijving (EN)</b>    | Plummer block housing units RSAO, cast iron housing, radial insert ball bearing with eccentric locking collar, R seals |
| <b>EAN-code</b>             | 4012802809077  |
| <b>Merk</b>                 | INA  |
| <b>Boring diameter (mm)</b> | 80   |
| <b>Buitendiameter (mm)</b>  | 390  |
| <b>Breedte (mm)</b>         | 226  |
| <b>Gewicht (kg)</b>         | 21.22  |

### Beschrijving

RSAO80-XL INA Pillow blocks

## Product URL

<https://aandrijftechniek.nl/product/rsao80-xl-ina/>