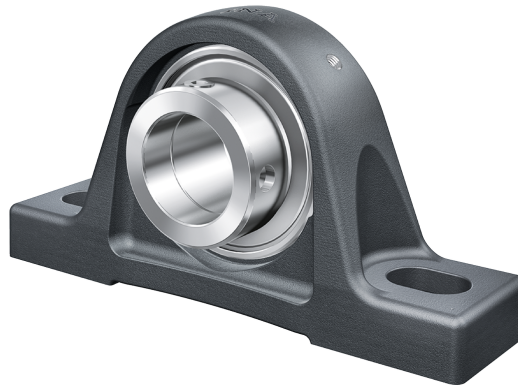


RASE40-XL-N INA

SKU: INARASE40-N



Extra afbeelding



Specificaties

| | |
|-----------------------------|--|
| designation | RASE40-XL-N |
| Boring diameter (mm) | 40 |
| Buitendiameter (mm) | 179 |
| Breedte (mm) | 99 |
| Gewicht (kg) | 1.95 |
| Omschrijving (EN) | Plummer block housing units RASE, cast iron housing, radial insert ball bearing with eccentric locking collar, R seals |
| EAN-code | 4054372514258 |
| Merk | INA |
| category1 | Ball bearing units |
| endCategory | Pillow blocks |
| Boring diameter (mm) | 40 |
| Buitendiameter (mm) | 179 |
| Breedte (mm) | 99 |

| | |
|---------------------|------|
| Gewicht (kg) | 1.95 |
|---------------------|------|

Beschrijving

RASE40-XL-N INA Pillow blocks

Product URL

<https://aandrijftechniek.nl/product/rase40-xl-n-ina/>