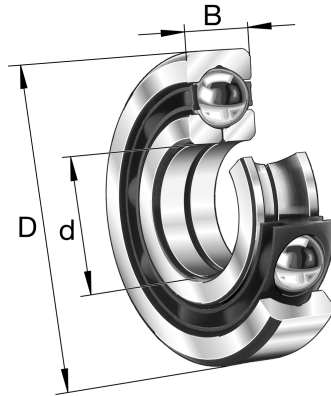


## QJ212-XL-TVP FAG

SKU: FAGQJ212-TVP



### Extra afbeelding



### Specificaties

|                      |   |
|----------------------|---|
| bearingLubrication   | Unlubricated  |
| accuracy             | Normal (PN)   |
| cageMaterial         | Polyamide   |
| designation          | QJ212-XL-TVP  |
| Boring diameter (mm) | 60  |
| Buitendiameter (mm)  | 110   |
| Breedte (mm)         | 22  |
| Eenheden             | pc  |
| Gewicht (kg)         | 0.881   |
| Omschrijving (EN)    | Four point contact bearing QJ2..-XL-TVP, X-life, plastic cage |
| EAN-code             | 4012801180771   |
| Merk                 | FAG   |
| category1            | Angular contact bearings                                      |
| endCategory          | Four point angular contact ball bearings                      |
| Boring diameter (mm) | 60  |
| Buitendiameter (mm)  | 110   |

|                     |       |
|---------------------|-------|
| <b>Breedte (mm)</b> | 22    |
| <b>Gewicht (kg)</b> | 0.881 |

## Beschrijving

QJ212-XL-TVP FAG Four point angular contact ball bearings

## Product URL

<https://aandrijftechniek.nl/product/qj212-xl-tvp-fag/>