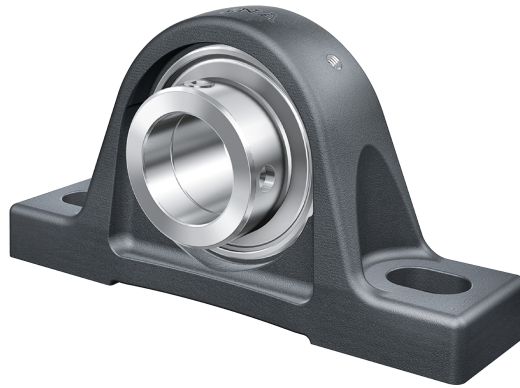


PASE60-XL-N INA

SKU: INAPASE60-N



Extra afbeelding



Specificaties

| | |
|-----------------------------|--|
| designation | PASE60-XL-N |
| Boring diameter (mm) | 60 |
| Buitendiameter (mm) | 240 |
| Breedte (mm) | 140 |
| Gewicht (kg) | 4.36 |
| Omschrijving (EN) | Plummer block housing units PASE, cast iron housing, radial insert ball bearing with eccentric locking collar, P seals |
| EAN-code | 4054372845154 |
| Merk | INA |
| category1 | Ball bearing units |
| endCategory | Pillow blocks |
| Boring diameter (mm) | 60 |
| Buitendiameter (mm) | 240 |
| Breedte (mm) | 140 |

| | |
|---------------------|------|
| Gewicht (kg) | 4.36 |
|---------------------|------|

Beschrijving

PASE60-XL-N INA Pillow blocks

Product URL

<https://aandrijftechniek.nl/product/pase60-xl-n-ina/>