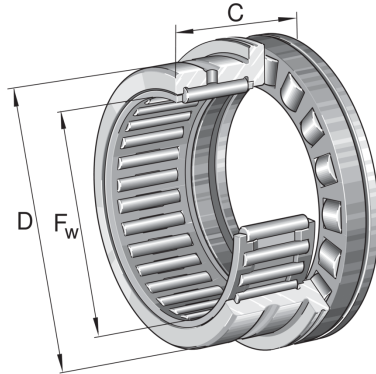


## NKXR30-XL INA

SKU: INANKXR30-XL



### Specificaties

<b>designation</b>	NKXR30-XL
<b>Boring diameter (mm)</b>	30
<b>Buitendiameter (mm)</b>	42
<b>Breedte (mm)</b>	30
<b>Gewicht (kg)</b>	0.1334
<b>Omschrijving (EN)</b>	Needle roller/axial cylindrical roller bearings NKXR, axial component, single direction, to DIN 5429, without end cap, for oil lubrication
<b>EAN-code</b>	4012802292961
<b>Merk</b>	INA
<b>Boring diameter (mm)</b>	30
<b>Buitendiameter (mm)</b>	42
<b>Breedte (mm)</b>	30
<b>Gewicht (kg)</b>	0.1334

### Beschrijving

NKXR30-XL INA

## Product URL

<https://aandrijftechniek.nl/product/nkxr30-xl-ina/>