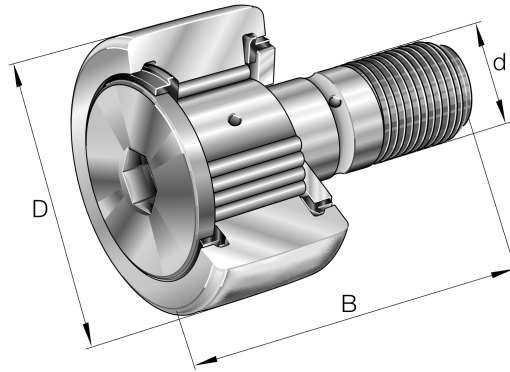


KRV35-B INA

SKU: INAKRV35-B



Specificaties

| | |
|-----------------------------|---|
| designation | KRV35-B |
| Boring diameter (mm) | 35 |
| Buitendiameter (mm) | 16 |
| Breedte (mm) | 52 |
| Gewicht (kg) | 0.182 |
| Omschrijving (EN) | Stud type track rollers KRV..-PP, with axial guidance, full complement needle roller set, plastic axial plain washers on both sides |
| EAN-code | 4012802368536 |
| Merk | INA |
| Boring diameter (mm) | 35 |
| Buitendiameter (mm) | 16 |
| Breedte (mm) | 52 |
| Gewicht (kg) | 0.182 |

Beschrijving

KRV35-B INA

Product URL

<https://aandrijftechniek.nl/product/krv35-b-ina/>