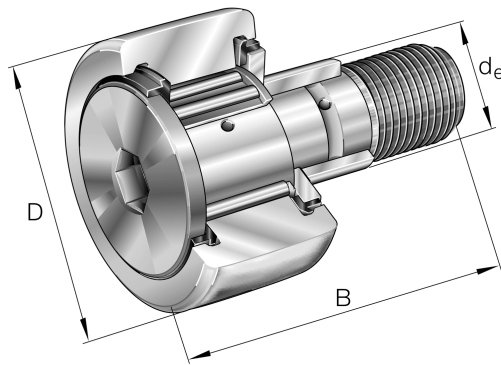


## KRE30-PP-A INA

SKU: INAKRE30-PP-A



## Specificaties

<b>designation</b>	KRE30-PP-A
<b>Boring diameter (mm)</b>	30
<b>Buitendiameter (mm)</b>	12
<b>Breedte (mm)</b>	40
<b>Gewicht (kg)</b>	0.0895
<b>Omschrijving (EN)</b>	Stud type track rollers KRE..-PP, with axial guidance, with eccentric collar, plastic axial plain washers on both sides
<b>EAN-code</b>	4012802423297
<b>Merk</b>	INA
<b>Boring diameter (mm)</b>	30
<b>Buitendiameter (mm)</b>	12
<b>Breedte (mm)</b>	40
<b>Gewicht (kg)</b>	0.0895

## Beschrijving

KRE30-PP-A INA

## Product URL

<https://aandrijftechniek.nl/product/kre30-pp-a-ina/>