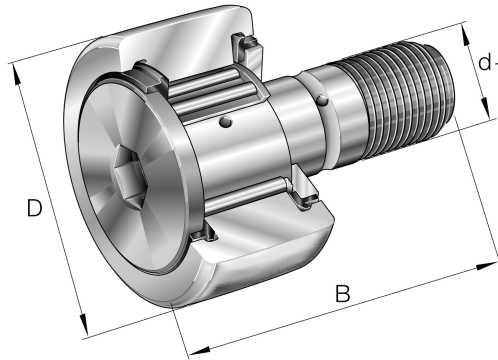


## KR32-X-PP-A INA

SKU: INAKR32-X-PP-A



### Specificaties

|                             |  |
|-----------------------------|--|
| <b>designation</b>          | KR32-X-PP-A  |
| <b>Boring diameter (mm)</b> | 32   |
| <b>Buitendiameter (mm)</b>  | 12   |
| <b>Breedte (mm)</b>         | 40   |
| <b>Gewicht (kg)</b>         | 0.09432  |
| <b>Omschrijving (EN)</b>    | Stud type track rollers KR..-PP, with axial guidance, plastic axial plain washers on both sides, optimized INA-profile |
| <b>EAN-code</b>             | 4012802427912  |
| <b>Merk</b>                 | INA  |
| <b>Boring diameter (mm)</b> | 32   |
| <b>Buitendiameter (mm)</b>  | 12   |
| <b>Breedte (mm)</b>         | 40   |
| <b>Gewicht (kg)</b>         | 0.09432  |

### Beschrijving

KR32-X-PP-A INA

## Product URL

<https://aandrijftechniek.nl/product/kr32-x-pp-a-ina/>