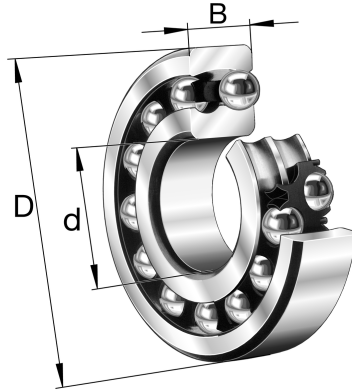


## 1216-K-TVH-C3 FAG

SKU: FAG1216-K-TVH-C3



### Extra afbeelding



### Specificaties

|                             |  |
|-----------------------------|--|
| <b>designation</b>          | 1216-K-TVH-C3  |
| <b>Boring diameter (mm)</b> | 80   |
| <b>Buitendiameter (mm)</b>  | 140  |
| <b>Breedte (mm)</b>         | 26   |
| <b>Gewicht (kg)</b>         | 1.62   |
| <b>Omschrijving (EN)</b>    | Self-aligning ball bearing 12..-K-TVH, tapered bore taper 1:12, plastic cage |
| <b>EAN-code</b>             | 4012801184090  |
| <b>Merk</b>                 | FAG  |
| <b>category1</b>            | Self aligning ball bearing   |
| <b>endCategory</b>          | Self aligning ball bearing   |
| <b>Boring diameter (mm)</b> | 80   |
| <b>Buitendiameter (mm)</b>  | 140  |
| <b>Breedte (mm)</b>         | 26   |
| <b>Gewicht (kg)</b>         | 1.62   |

### Beschrijving

1216-K-TVH-C3 FAG Self aligning ball bearing

## **Product URL**

<https://aandrijftechniek.nl/product/1216-k-tvh-c3-fag/>